

Photovoltaic Inverter

KP100L

Highest Reliability and Quality, Fastest return of Investment in string inverters category.

1. Versatile matching : Thin films solar panel, Monocrystalline and Polycrystalline solar modules on the same inverter driven by different MPPT.
* Suited for crystalline module that grounding isn't required.
For the compatibility of thin-film module, please contact OMRON sales representative.
2. Top level performance : 3MPPT, Wide MPPT voltage range, Max peak output power (+10%).
3. Smart control for solar tracker :one stop solution.
(control components and software)



NEW

Ordering Information

Description	Model	Applicable country
Photovoltaic Inverter	KP100L-OD-EU	Italy, Spain, France, Germany, Czech Republic, Portugal, Greece, Denmark, Turkey, Republic of South Africa

Specification

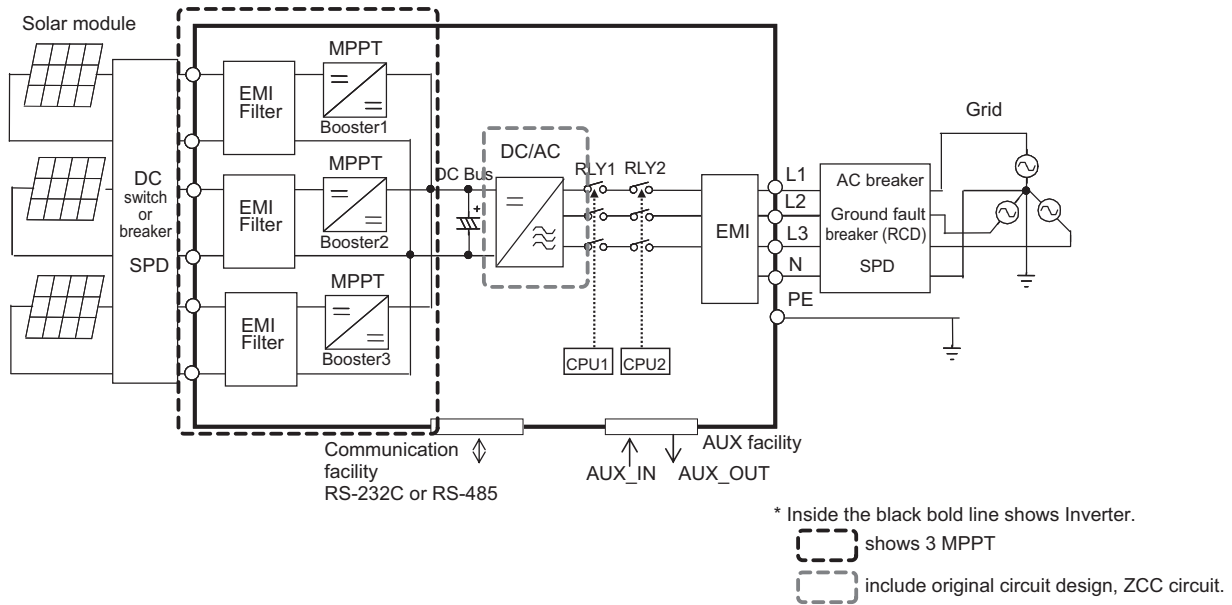
Item		KP100L-OD-EU	
DC Input	Max. open-circuit voltage	850 VDC	
	DC voltage range	200 to 850 VDC	
	MPPT voltage range	Rated power	320 to 825 VDC
		Operation power	200 to 850 VDC
	Nominal voltage	585 VDC	
	Number of MPPT	3	
	Type of DC terminals	MC4	
	Max. current per one pair of DC terminals	13 ADC	
Max. power per one pair of DC terminals	5,500 W		
AC Output	Nominal power	10,000W	
	Peak power (10 minutes)	11,000W	
	Nominal Output Current	14.5A	
	Output voltage	230/400 VAC	
	Nominal frequency	50Hz	
	Output frequency range	45 to 55 Hz	
	THD of output current	4% or less	
	Power factor (cos phi)	1 (typical) (at output power 10kW)	
Performance	Wiring sytem	3-phase 4-wire	
	Max. efficiency	97.5%	
	European efficiency	97.1%	
	Standby consumption power	1 W or less	
Certifications	Night time consumption power	1 W or less	
	EMC	EN 61000-6-2, EN61000-6-3, EN61000-3-2	
	Low voltage regulation	EN50178	
	German regulation	VDE0126-1-1	
	Spanish regulation	RD1663/2000	
Other	Italian regulation	DK5940 Ed2.2	
	Operation temperature range	-20 to + 60 °C	
	Tolerable relative humidity	4 to 100%, non-condensing	
	Degree of protection	Housing:IP65 (acc. To DIN EN60529)	
	Cooling	Forced ventilation	
	Dimensions (W × H × D)	455 × 700 × 270 mm	
	Weight	Approx. 42kg	
	Display	LCD (16 charactors, 2 lines)	
Data transmission	RS-232C/RS-485		
Warranty	5 years (Option:10 years)		

KP100L

ZCC Circuit

Top Performance

The KP100L has 3 individual MPPT (Maximum Power Point Tracker) decides and ensures high power efficiency and maximum power output at all times. Key to Omron's highly efficient technology is a special ZCC circuit that was developed together with a leading Japanese university.



Dimensions

(Unit: mm)

(OutLook)

